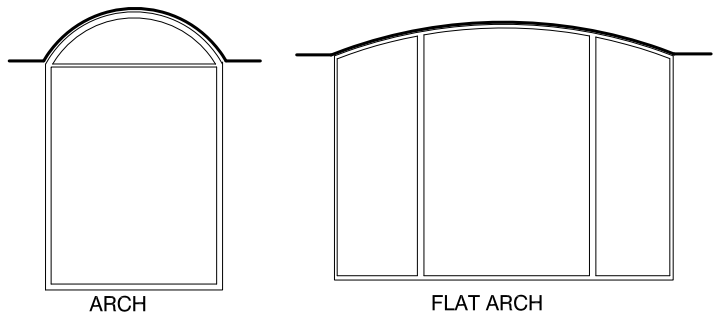
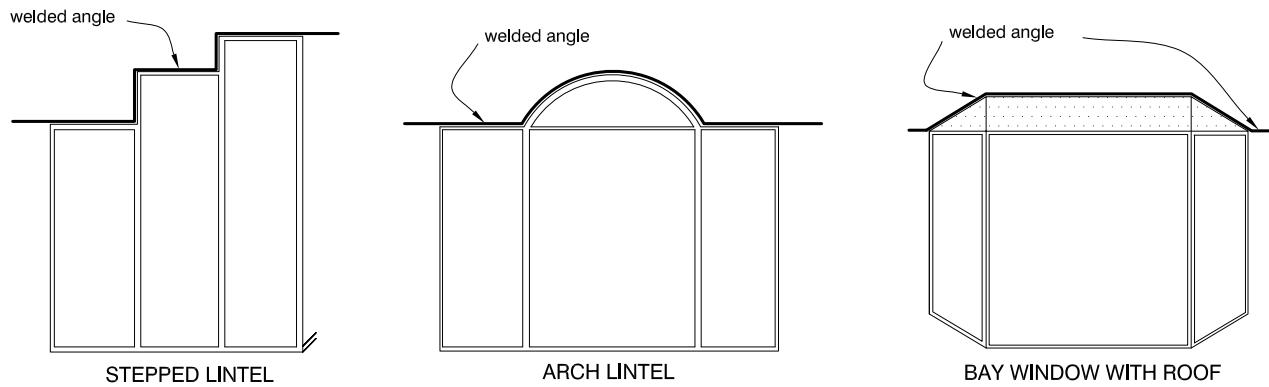


# FIG. 106 EXAMPLES OF WINDOW SHAPES

## Use of Galvanised Steel Angles to Support Brick Veneer

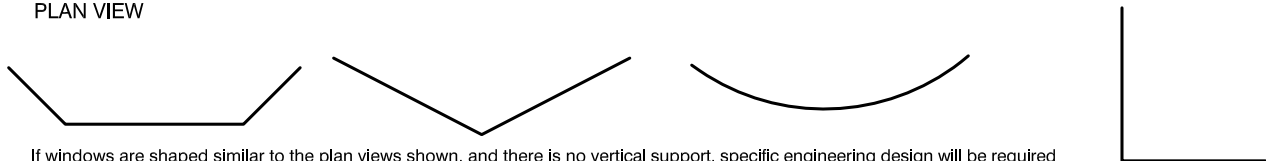
NOTE: Generally backflash properly with polythene and provide weepholes in flat areas, especially each side of the window. Either extend angle to provide a 200mm landing each side of opening, or fix angle to framing using 75x50 coach screws stopping angle at the side of the window opening. If fixed to framing stop angle 5-10mm clear of brickwork and mortar. Always check steel angles for straightness and right angle prior to installing.

### ELEVATIONS



Note: The aluminium frame may be used as temporary formwork during construction. Ensure aluminium is protected and a 2mm gap is allowed for between brick and aluminium.

### PLAN VIEW



If windows are shaped similar to the plan views shown, and there is no vertical support, specific engineering design will be required to ensure cantilevered beams can carry the load. (Note: Use steel beams in preference to timber)