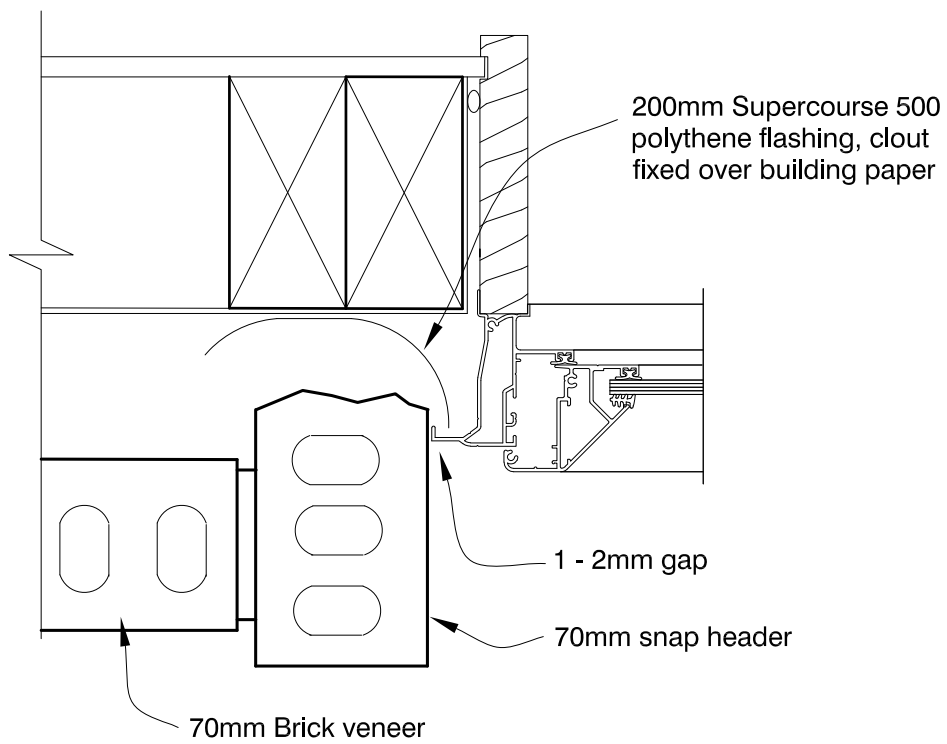
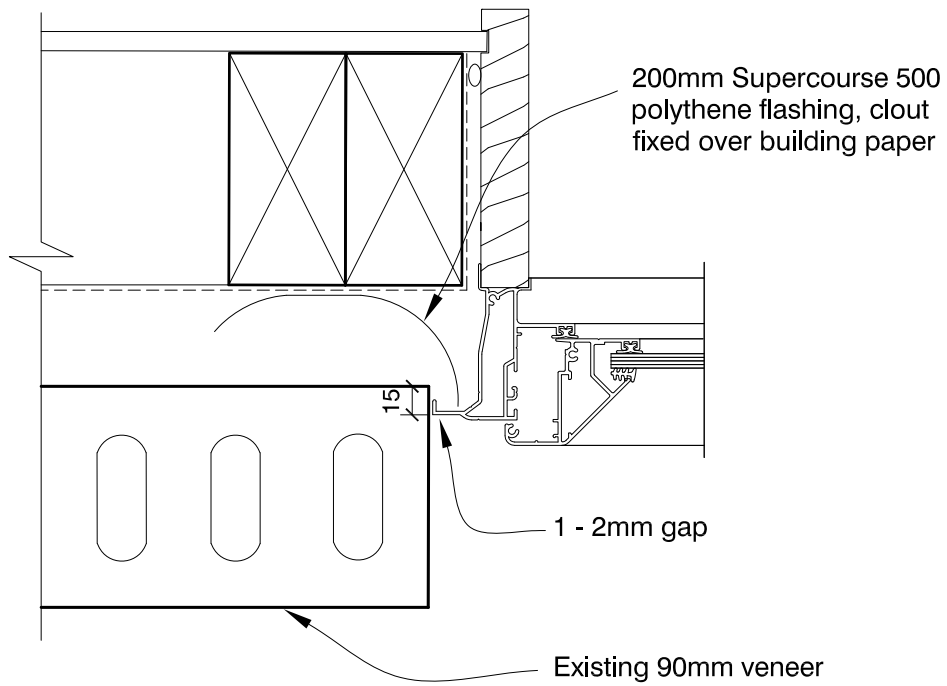


FIG. 33 REPLACING 90mm VENEER WITH 70mm



Note: It may be necessary to install 20mm vertical battens for brick ties