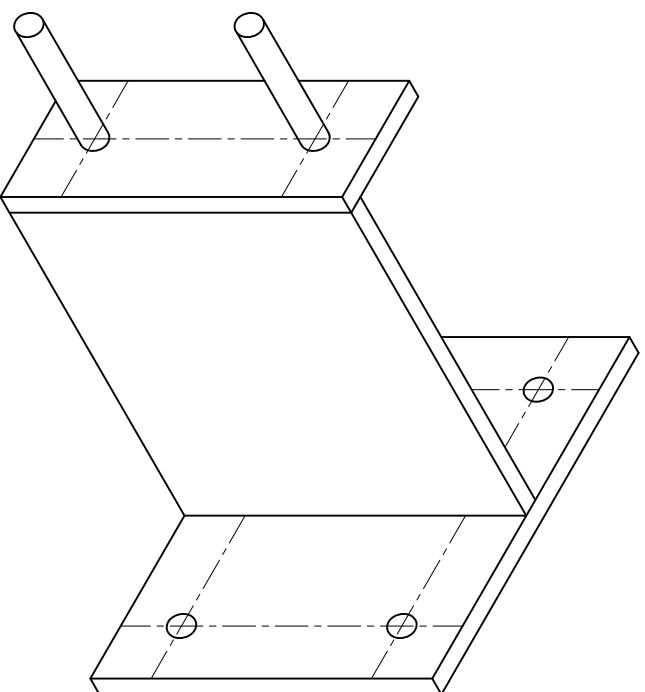


FIG. 46 PERGOLA FIXING



RIBBON PLATE BRACKET

All ex 130x6 flat plate, all welds
5mm fillet, all holes M12 clearance
and studs are M12 threaded.
All hot dip galvanised.

