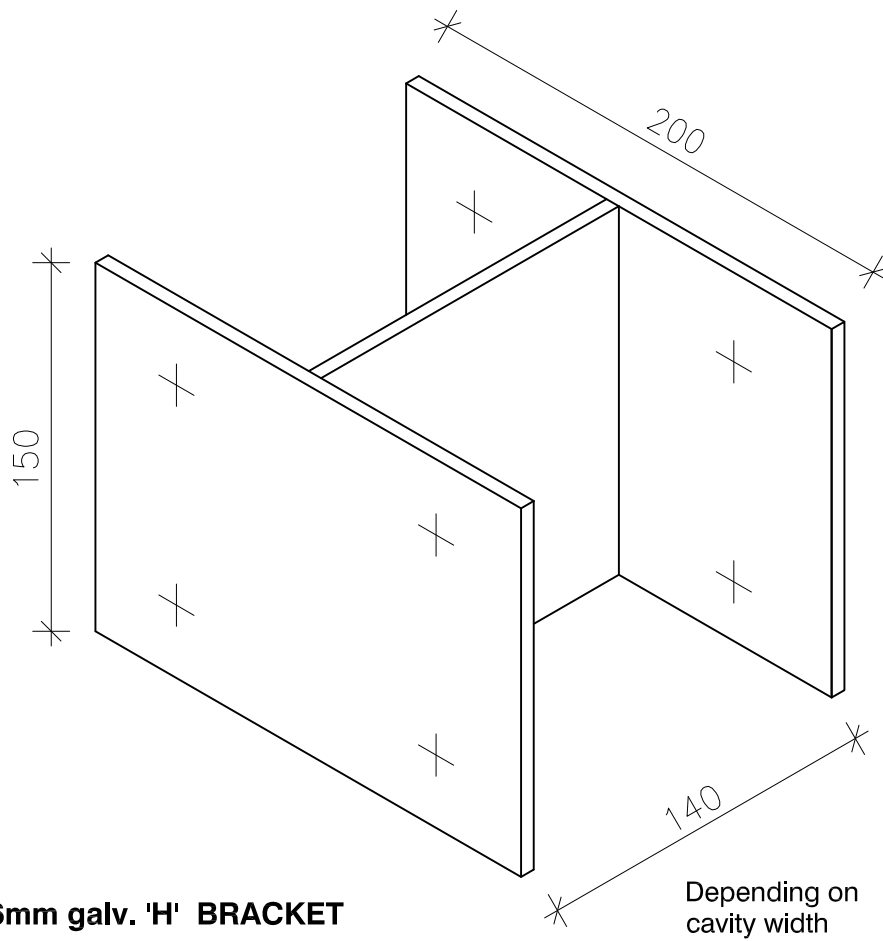
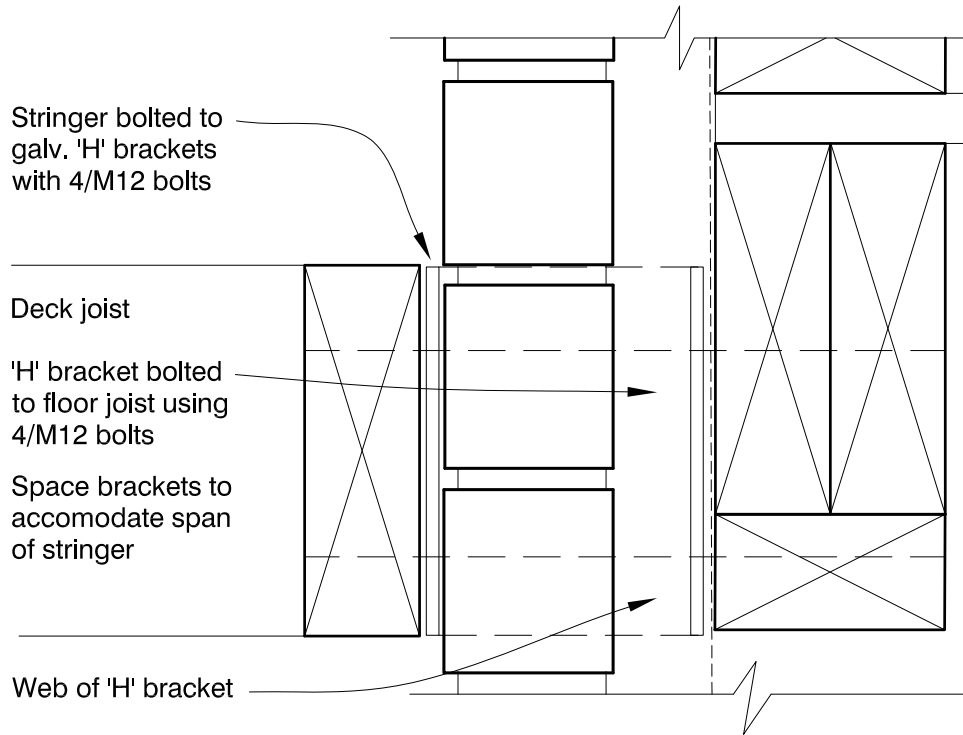


**FIG. 55 DECK CONNECTION**  
**Option 1 : Using 'H' bracket**



Alter dimensions to suit.  
 Note: A 'T' shaped bracket can be used and bolted to the side of floor joists. May require specific design.