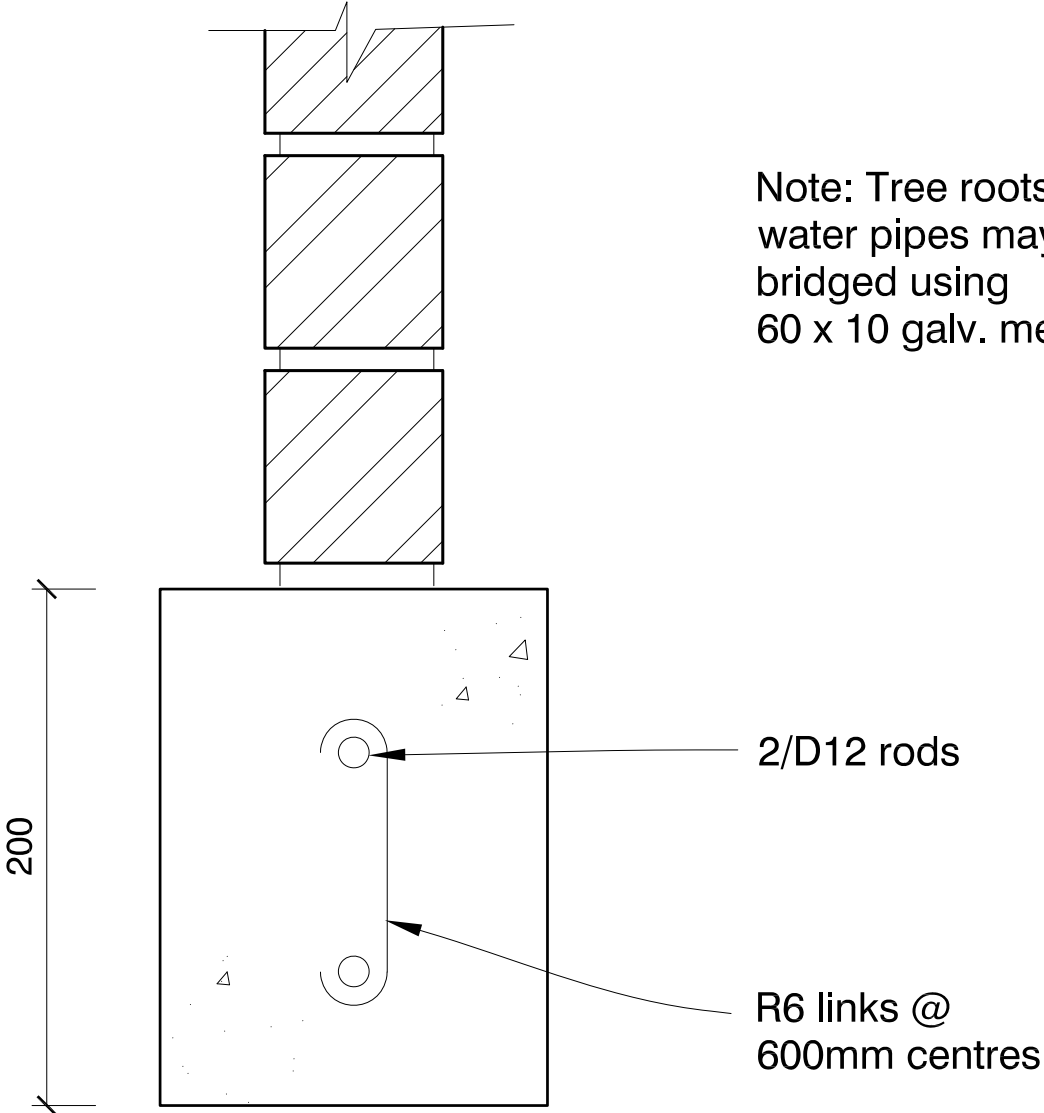


# FIG. 85 SINGLE WALL FOUNDATION



Note: Tree roots and water pipes may be bridged using 60 x 10 galv. metal

2/D12 rods

R6 links @ 600mm centres